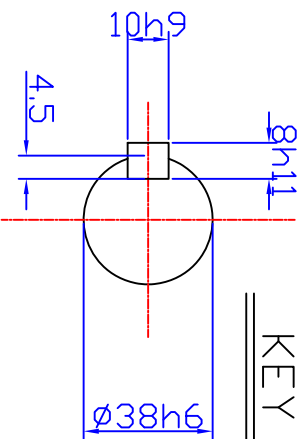


KEY 10X8X48



OUTPUT SHAFT

NO.	DESCRIPTION	MATERIAL	SIZE OR SPEC.	DRAWN NO.	REMARKS
DRAWN	DESIGNED	CHECKED	APPROVED	SCALE	DIMENSION
				1/1	QTY
DATE	DAESUNG IND CO., LTD.		M/M	NAME	
2006-04-01	MECHINERY DIV.			MFG V38D-5,10,15,20RSS2.2-4	
				OUTLINE DIM'S	
				DRW' NO.	
				DS3001-V	

*()안 치수는 변경될 수 있음.