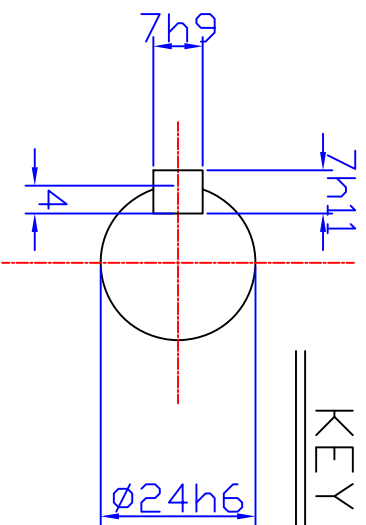


KEY 7X7X28



OUTPUT SHAFT

NO.	DESCRIPTION	MATERIAL	SIZE OR SPEC.
DRAWN	DESIGNED	CHECKED	APPROVED
DATE	SCALE	DIMENSION	QTY

NAME


MFG V24D-5,10,15,20RS0.75-4

OUTLINE DIM'S

DRW' NO.

DS1001-V

*() 안 치수는 변경될 수 있음.

2006-04-01				1/1	∅/M	
			DAESUNG IND CO., LTD.			
2006-04-01			MECHINERY DIV.			
DATE			REMARKS			