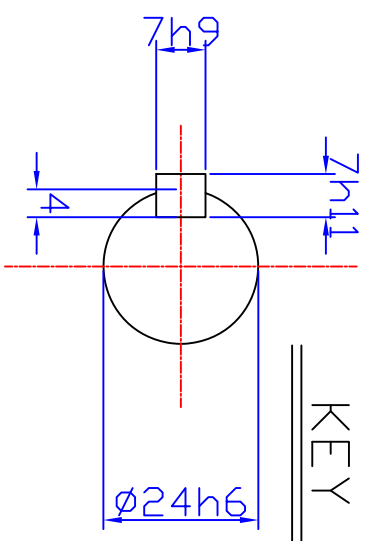


KEY 7X7X28



OUTPUT SHAFT

*()안 치수는 변경될 수 있음.

NO.	DESCRIPTION	MATERIAL	SIZE OR SPEC.	DRAWN NO.	REMARKS
DESIGNED	CHECKED	APPROVED	SCALE	DIMENSION	QTY
DATE	2006-04-01	DAESUNG MECHINERY DIV.	IND CO., LTD.	NAME	MFG V24D-30RSS0.4-4
				DRWN ND.	OUTLINE DIM'S
					DSH001-V