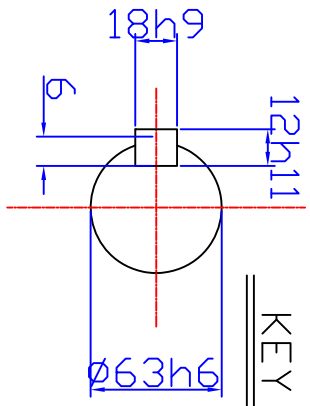
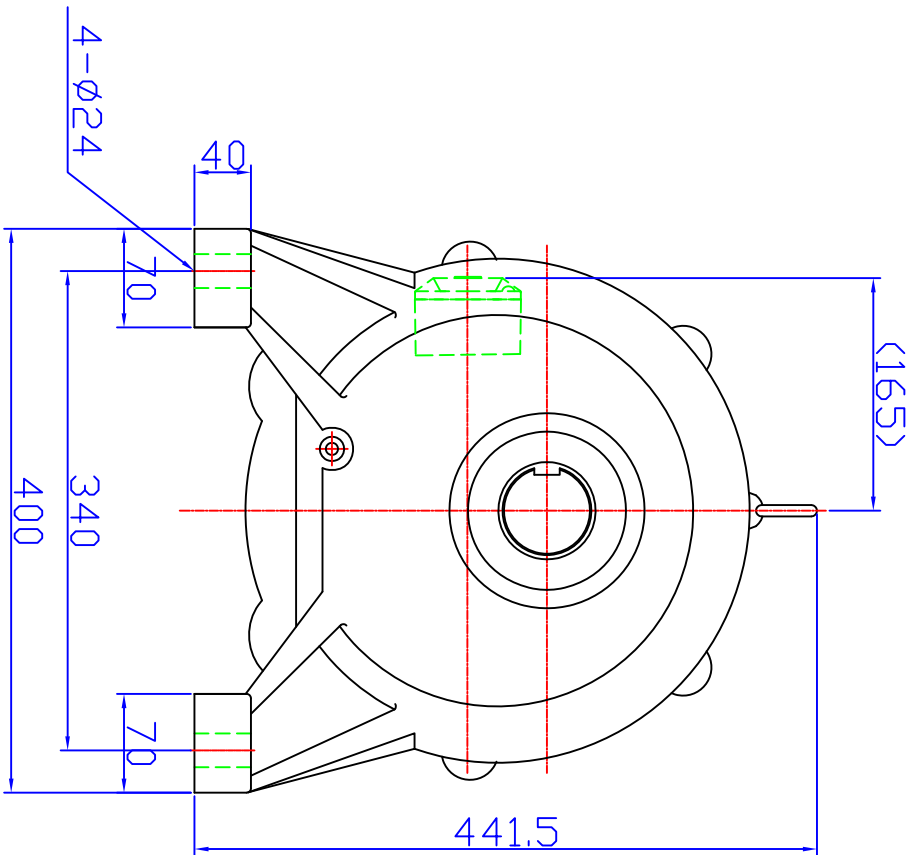



KEY 18X12X91



*()안 치수는 변경될 수 있음.

NO.	DESCRIPTION	MATERIAL	SIZE OR SPEC.	DATE
DRAWN	DESIGNED	CHECKED	APPROVED	SCALE
				1/1
				DATE
				2006-04-01
 DAESUNG IND CO., LTD. MECHINERY DIV.				
NAME		DROWN NO.		
MF G63D-30RS7.5-4		REMARKS		
OUTLINE DIM'S				
DRDW' NO.				
DS10003-H				