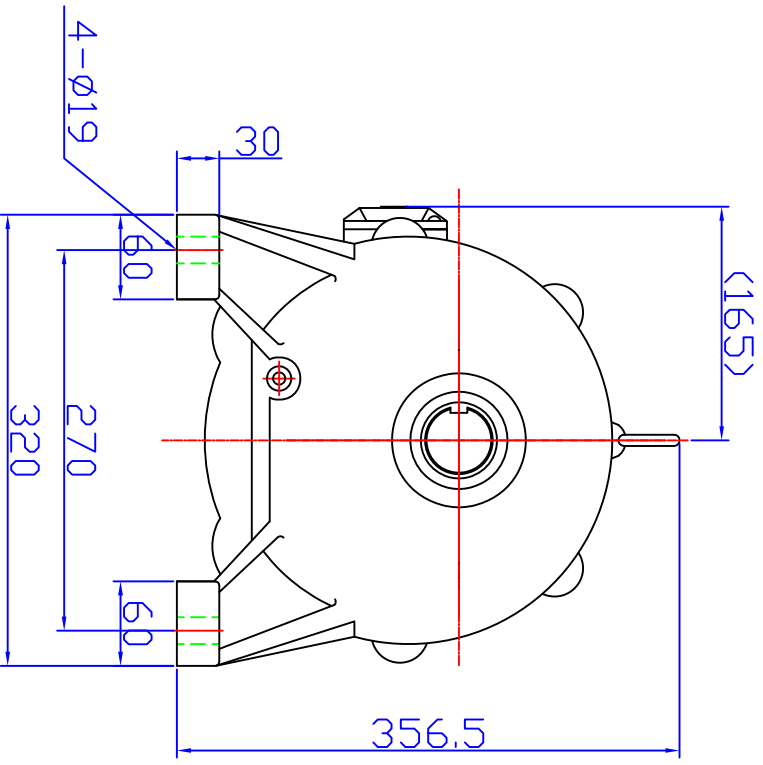


OUTPUT SHAFT



NO.	DESCRIPTION	MATERIAL	SIZE OR SPEC.	NAME
DRAWN	DESIGNED	CHECKED	APPROVED	SCALE
DATE	2006-04-01			1/1
DAESUNG IND CO., LTD. MECHINERY DIV.				IND CO., LTD.
MF G48D-20RSS.5-4				OUTLINE DIM'S
DRAWN NO.				REMARKS
DS7002-H				

*() 안 치수는 변경될 수 있음.