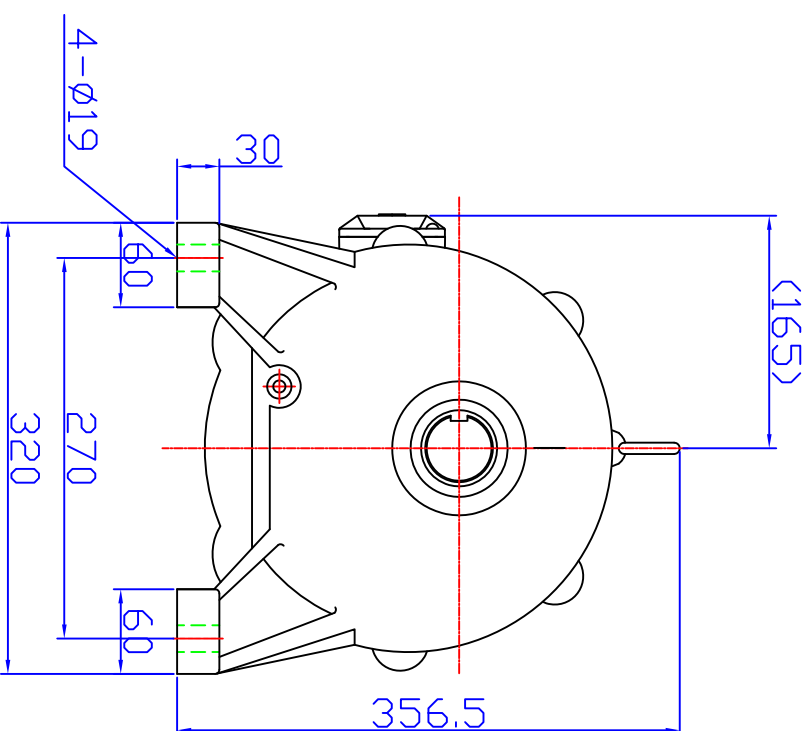


OUTPUT SHAFT



NO.	DESCRIPTION	MATERIAL	SIZE OR SPEC.	NAME
DRAWN	DESIGNED	CHECKED	APPROVED	SCALE
DATE	2006-04-01			1/1
				MM
DROWN NO.				REMARKS
NAME				
MF G48T-45,50,60RSS3.7-4				
OUTLINE DIM'S				
DROW' N'D.				
DSS003-H				

DAESUNG IND CO., LTD.
MECHINERY DIV.



* () 안 치수는 변경될 수 있음.