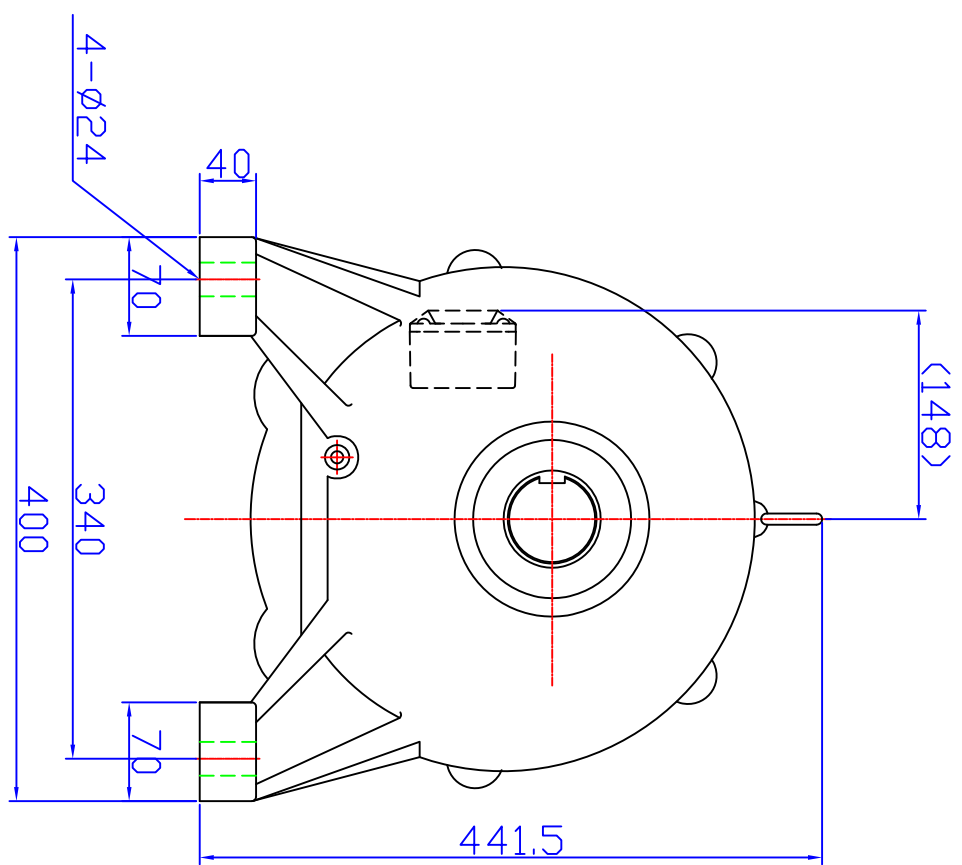
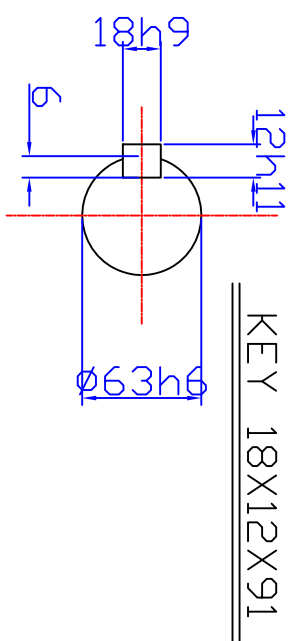


OUTPUT SHAFT



NO.	DESCRIPTION	MATERIAL	SIZE OR SPEC.	NAME
DRAWN	DESIGNED	CHECKED	APPROVED	SCALE
DATE	2006-04-01			1/1
DAESUNG IND CO., LTD. MECHINERY DIV.				REMARKS
MF G63T-200RSS2.2-4				OUTLINE DIM'S
DS3006-H				

*()안 치수는 변경될 수 있음.