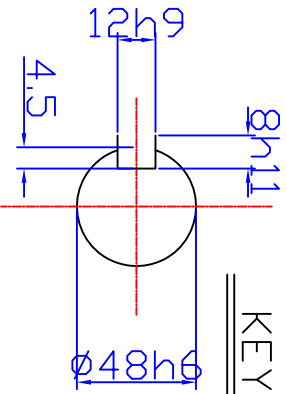
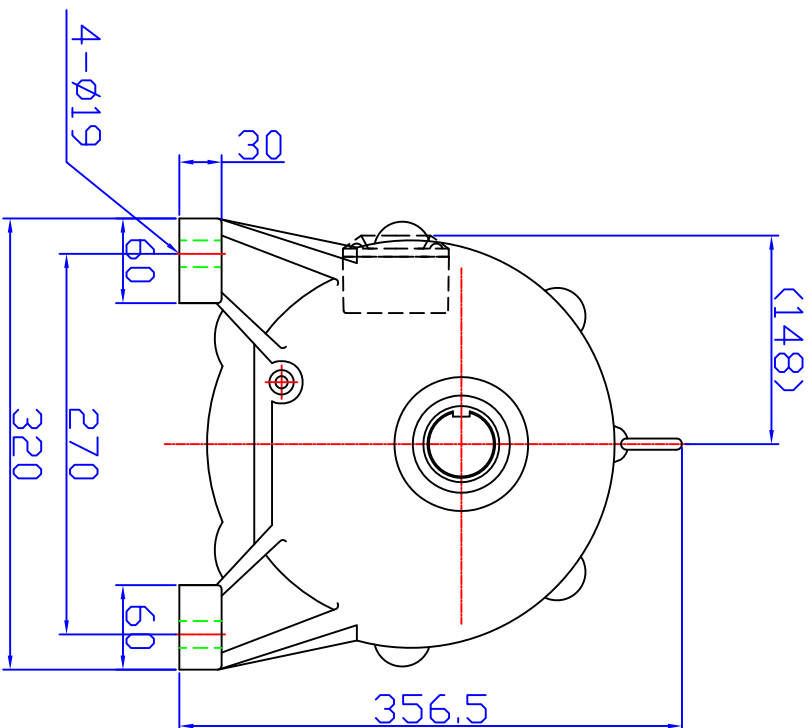


KEY 12X8X71



OUTPUT SHAFT



NO.	DESCRIPTION	MATERIAL	SIZE OR SPEC.	QTY	REMARKS
DRAWN	DESIGNED	CHECKED	APPROVED	SCALE	DIMENSION
DATE	2006-04-01	DAESUNG IND CO., LTD.		1/1	M/M
				MECHINERY DIV.	
NAME			MFG48T-75,100RSS2.2-4		
DROWN NO.			OUTLINE DIM'S		
DRAW/ND.			DS3004-H		

*()안 치수는 변경될 수 있음.