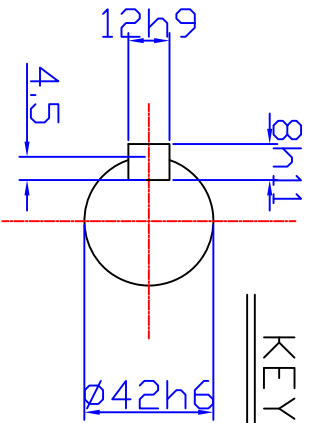
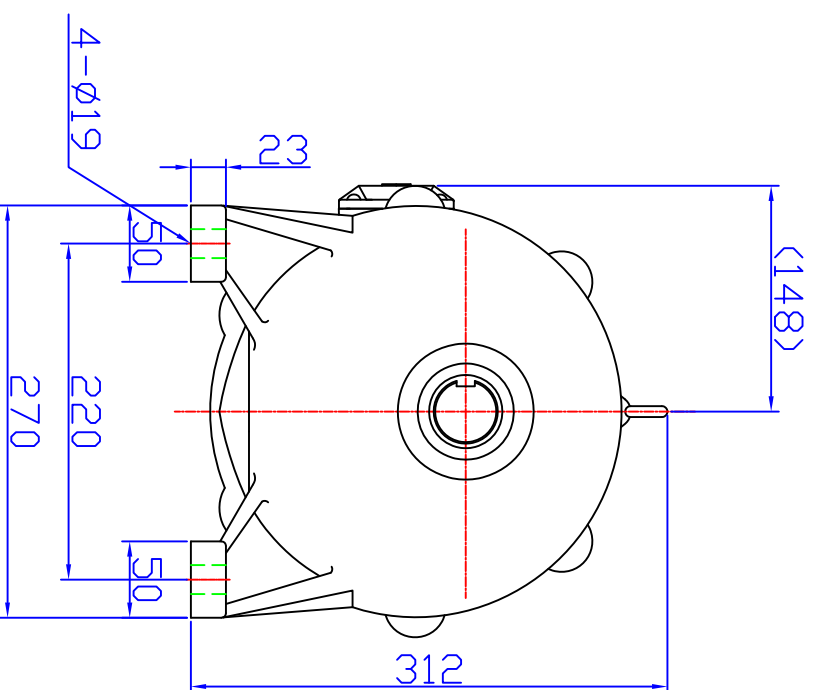


KEY 12X8X71



OUTPUT SHAFT



* () 안 치수는 변경될 수 있음.

NO.	DESCRIPTION	MATERIAL	SIZE OR SPEC	DATE
DRWN	DESIGN	CHECKED	APPROVED	SCALE
				1/1 :M/M
DATE				

DAESUNG IND CO., LTD MECHINERY DIV.		NAME	REMARKS
DATE		DRWN NO.	
		DRWNO	
		OUTLINE DIM'S	
		MF G42T-45,50,60RSS2.2-4	