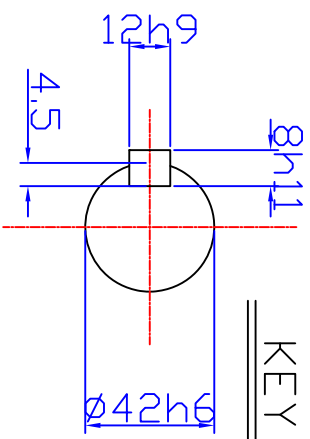
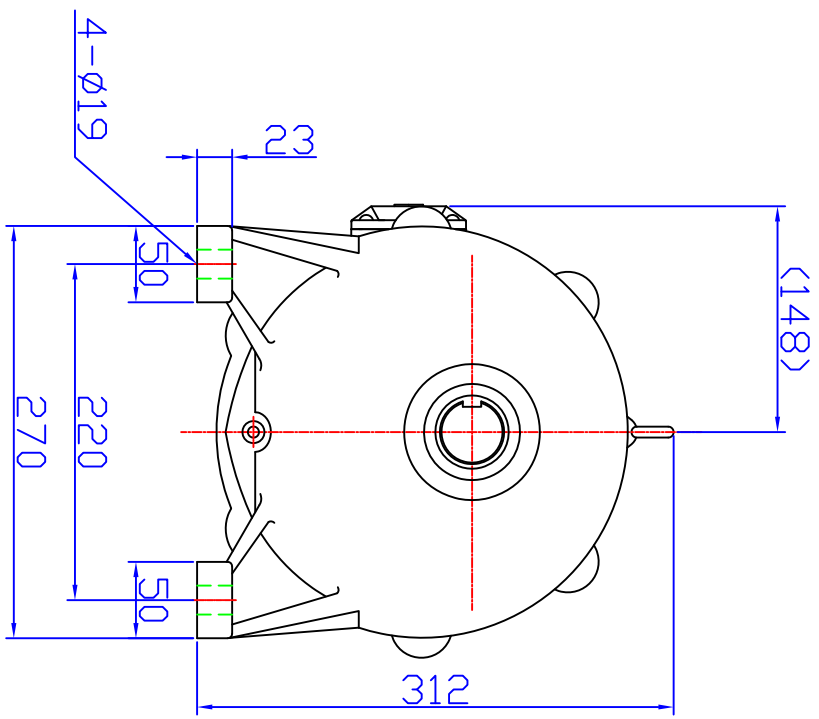


KEY 12X8X71



OUTPUT SHAFT



NO.	DESCRIPTION	MATERIAL	SIZE OR SPEC.	NAME
DRAWN	DESIGNED	CHECKED	APPROVED	DRAWN NO.
DATE	SCALE	DIMENSION	QTY	REMARKS
2006-04-01	1/1	MM		
DAESUNG IND CO., LTD. MECHINERY DIV.				
MF G42D-30RSS2.2-4 OUTLINE DIM'S				
DRW' NO. DS3002-H				

\*( ) 안 치수는 변경될 수 있음.