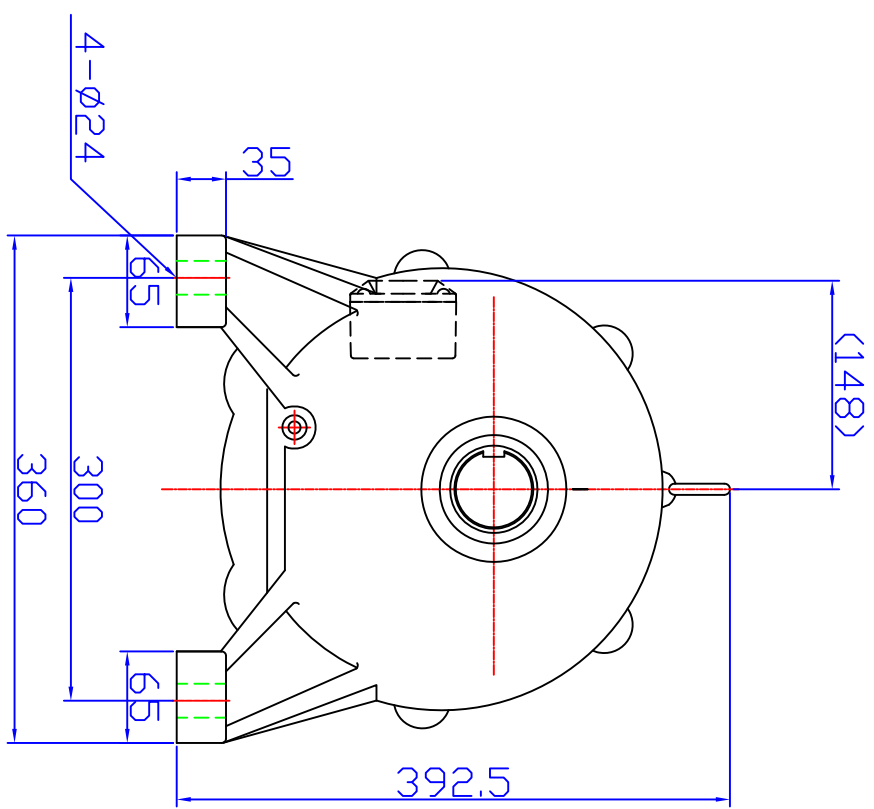


OUTPUT SHAFT

*() 안 치수는 변경될 수 있음.



NO.	DESCRIPTION	MATERIAL	SIZE OR SPEC.	DRAWN NO.	REMARKS
DRAWN	DESIGNED	CHECKED	APPROVED	SCALE	DIMENSION
DATE	2006-04-01			1/1	mm
<p>DAESUNG IND CO., LTD. MECHINERY DIV.</p> <p>NAME: MF G56T-200RS1.5-4 DRAW' NO: DSS2006-H OUTLINE DIM'S</p>					