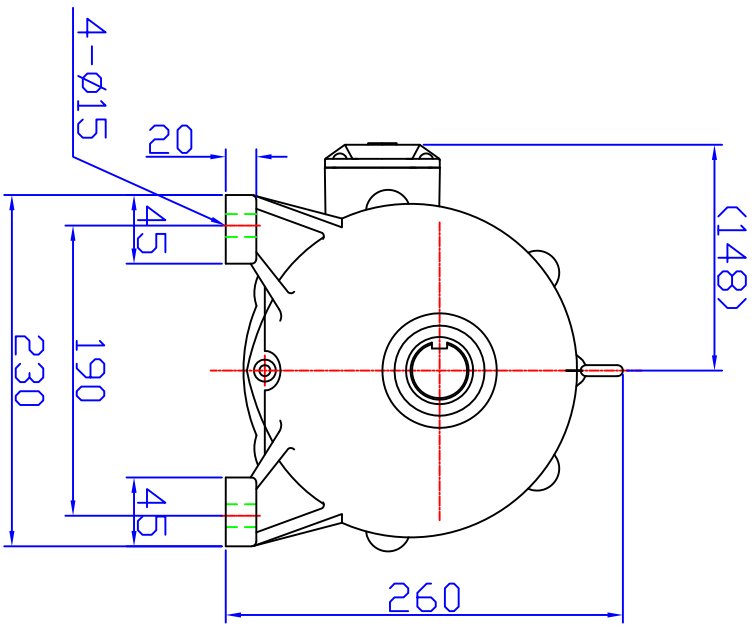



OUTPUT SHAFT



NO.	DESCRIPTION	MATERIAL	SIZE OR SPEC.	
DRAWN	DESIGNED	CHECKED	APPROVED	SCALE
				1/1
DATE				UNIT
2006-04-01				mm
 DAESUNG IND CO., LTD. MECHINERY DIV.				
NAME		DROWN NO.		
MFG38T-45,50,60,75RS1.5-4		REMARKS		
OUTLINE DIM'S				
DRAW NO.				
DS2003-H				

* () 안 치수는 변경될 수 있음.