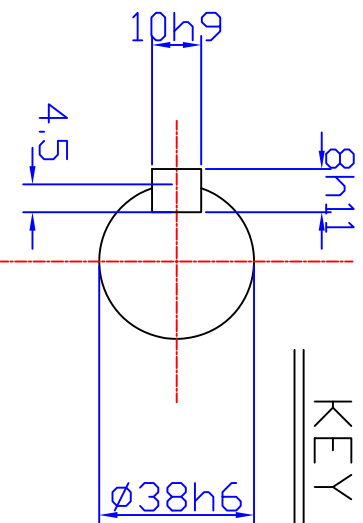


KEY 10X8X48



OUTPUT SHAFT

*()안 치수는 변경될 수 있음.

NO.	DESCRIPTION	MATERIAL	SIZE OR SPEC.	DRAWN NO.	REMARKS
DRAWN	DESIGNED	CHECKED	APPROVED	SCALE	DIMENSION
DATE	2006-04-01			1/1	mm
DAESUNG IND CO., LTD.			MECHANERY DIV.		
NAME			MF G38T-100,130,150RS0.75-4		
DRAWN NO.			DS1004-H		
REMARKS			OUTLINE DIM'S		
DRW' NO.			DS1004-H		