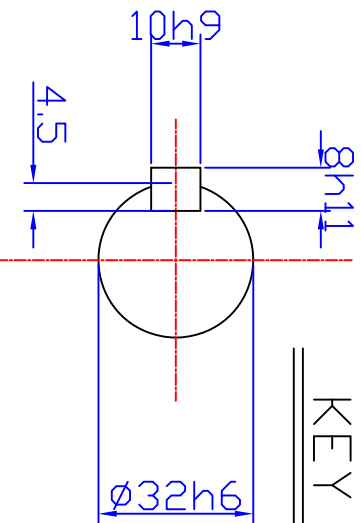


KEY 10X8X48



OUTPUT SHAFT

NO.	DESCRIPTION	MATERIAL	SIZE OR SPEC.
DRAWN	DESIGNED	CHECKED	APPROVED
DATE	SCALE	DIMENSION	QTY

NAME

MFG32T-45,50,60,75RS0.75-4

OUTLINE DIM'S

DRW' NO.

DS1003-H

*()안 치수는 변경될 수 있음.

2006-04-01



DAESUNG IND CO., LTD.
MECHINERY DIV.