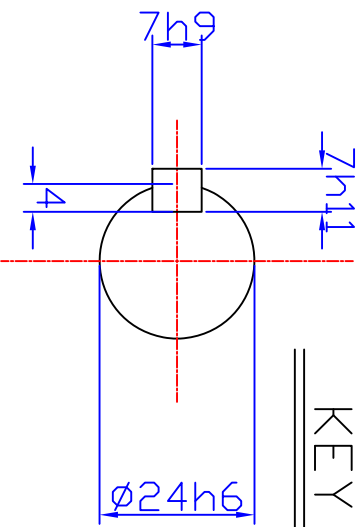


KEY 7X7X28



**OUTPUT SHAFT**

NO.	DESCRIPTION	MATERIAL	SIZE OR SPEC.
DRAWN	DESIGNED	CHECKED	APPROVED
SCALE	DIMENSION	QTY	REMARKS

NAME: MF G24D-5,10,15,20RS0.75-4

OUTLINE DIM'S

DRW' NO.

DS1001-H

DATE

2006-04-01



DAESUNG IND CO., LTD.  
MECHINERY DIV.

\*( ) 안 치수는 변경될 수 있음.