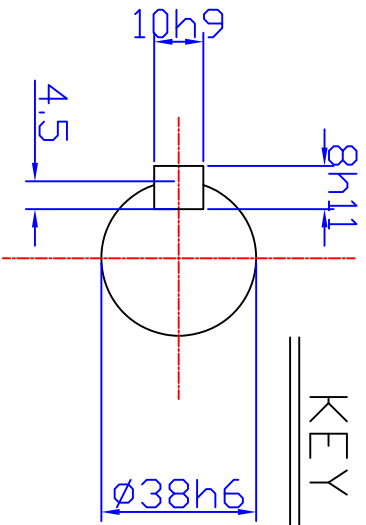



KEY 10X8X48



OUTPUT SHAFT

*() 안 치수는 변경될 수 있음.

NO.	DESCRIPTION	MATERIAL	SIZE OR SPEC.	DRAWN NO.	REMARKS
DRAWN	DESIGNED	CHECKED	APPROVED	SCALE	DIMENSION
DATE				1/1	mm
2006-04-01					
 DAESUNG IND CO., LTD. MECHINERY DIV.				NAME MF G38T200RS0.4-4 DOUTLINE DIM'S DSH005-H	