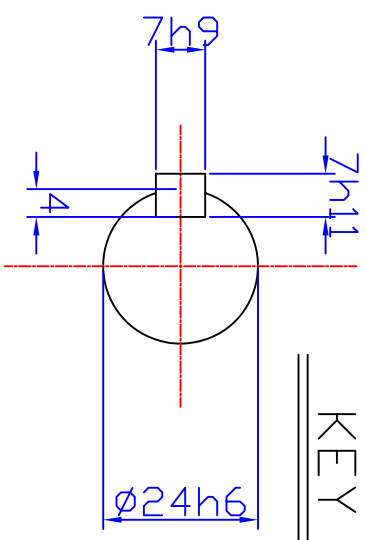


KEY 7X7X28



OUTPUT SHAFT

NO.	DESCRIPTION	MATERIAL	SIZE OR SPEC.	Q'ty	REMARKS
DRAWN	DESIGNED	CHECKED	APPROVED	SCALE	DIMENSION
DATE	DAESUNG IND CO., LTD.		IND CO., LTD.	1/1	M/F
2006-04-01	MECHINERY DIV.		MECHINERY DIV.		
NAME					DRAWN NO.
MF G24T-45,50,60,75RSS0.4-4					REMARKS
OUTLINE DIM'S					
DRW' NO.					
DSH003-H					

*() 안 치수는 변경될 수 있음.